



PRODUCT DATASHEET

Larisa series

last update 18/4/2016

DETAILS

Product Number	CP15308_LARISA-WW-PIN
Family	Larisa
Type	Assembly
Color	black
Diameter	9,9 +9,9 mm
Height	7,5 mm
Style	square
Optic Material	PMMA
Holder Material	
Fastening	glue, pin
Status	production ready
ROHS Compliant	Yes
Date Updated	18/04/2016



OPTICAL PROPERTIES

LED	Viewing	Light	Effi-		Connector
	Angle	Beam	ciency	cd/lm	
Oslon SSL 80	66 deg	Very Wide	84 %	0.900	-
Duris S5 (2 chip)	50 deg	Very Wide	sim: 80 %	0.900	-

D

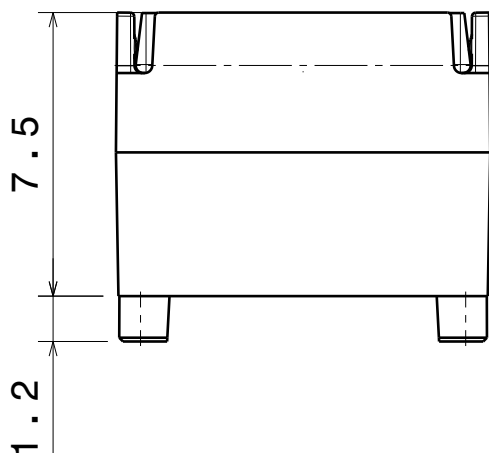
C

B

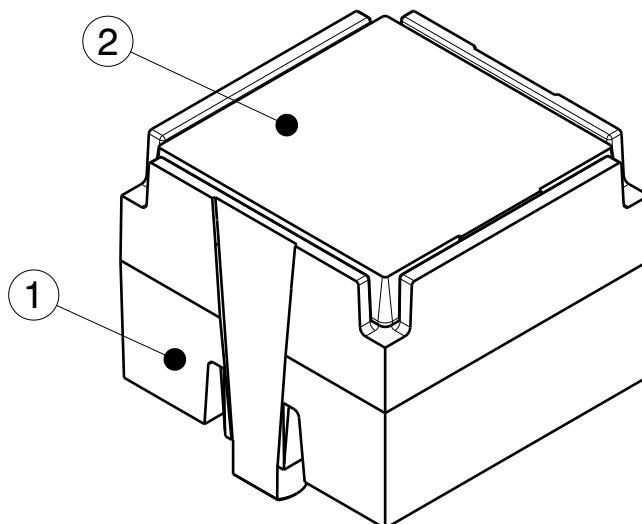
A

4

4

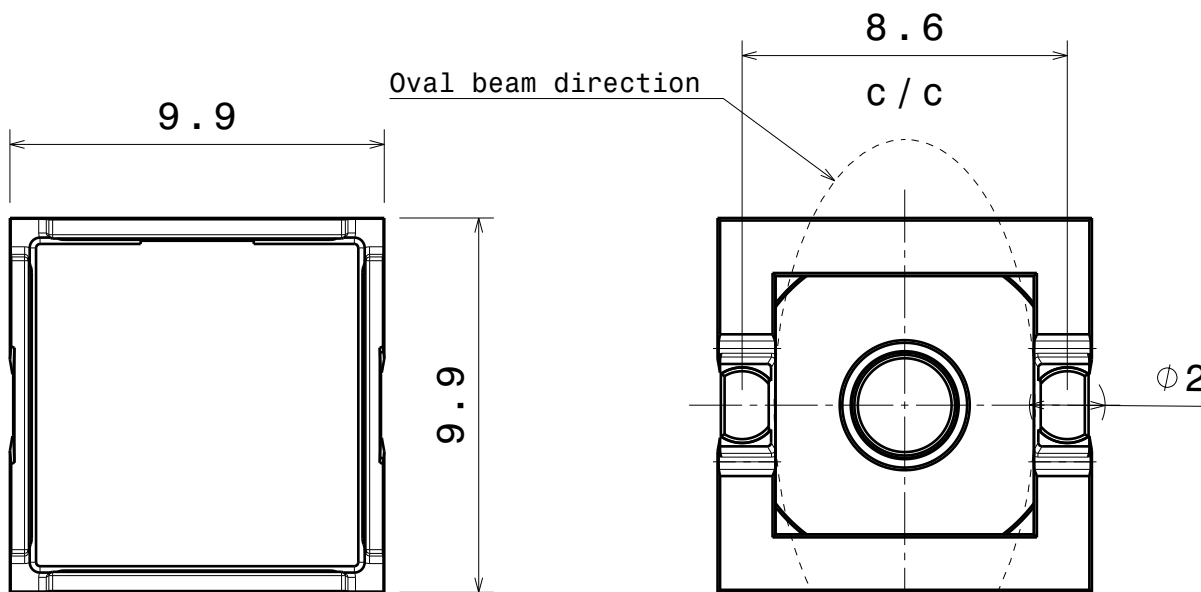


Front view

Isometric view
Scale: 5:1

3

3



Top view

Bottom view

2

2

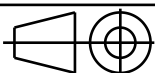
INDEX	PART NO	DESCRIPTION	MATERIAL	COLOUR
1	C15062	LARISA-HOLDER-PIN	PC	black
2	-	LARISA-lens	PMMA	

Tolerances if not otherwise shown
According to DIN ISO 2768-1
Linear measures:
Up to 30mm class M, otherwise class C.
According to DIN ISO 2768-2
Form and position: class L

LEDiL

Ledil Oy
Salorankatu 10
FIN 24240 SALO
Finland

THIRD ANGLE PROJECTION:



DRAWING TITLE

LARISA-PIN series

This drawing is the property
of LEDiL Oy. It may not be
reproduced, copied or
communicated without a written
agreement with LEDiL Oy.

SIZE PART NUMBER

A4

-

SCALE 5:1 WEIGHT

-

SHEET 1/1

1

1

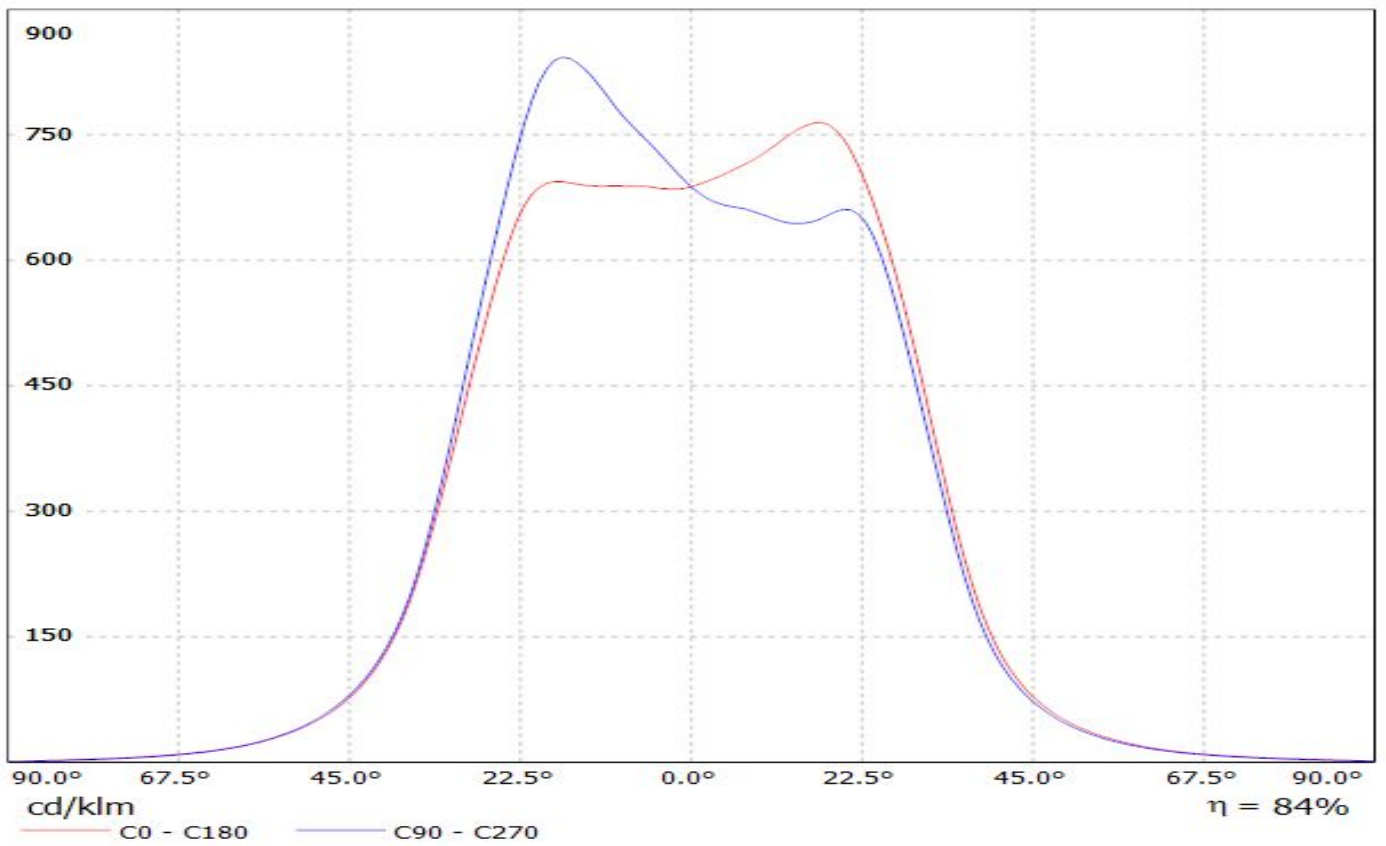
D

A

LEDiL Oy C12913_LARISA-WW_(SSL80) Eff.84.2% / LDC (Linear)

Luminaire: LEDiL Oy C12913_LARISA-WW_(SSL80) Eff.84.2%

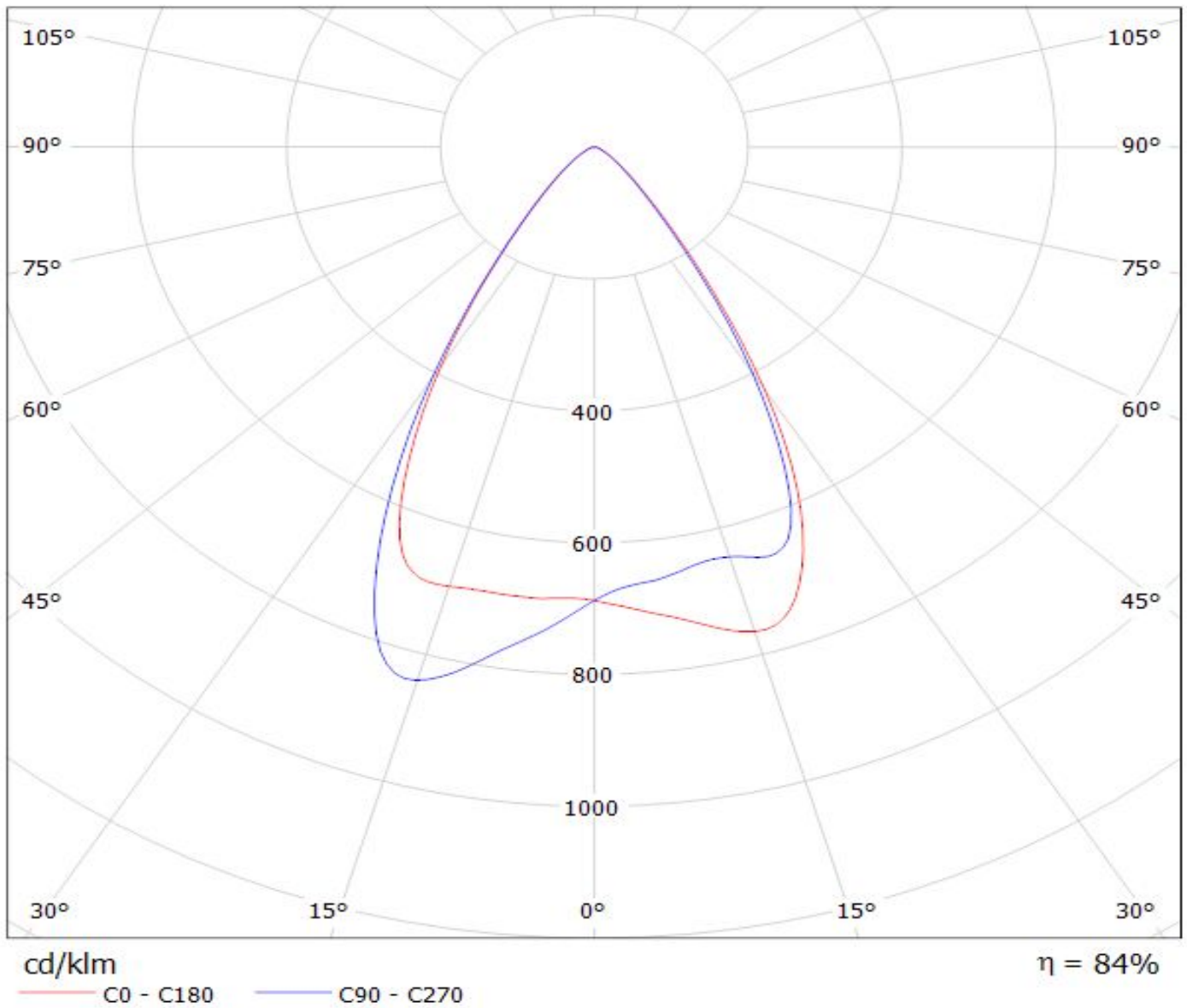
Lamps: 1 x Osram SSL80 (81.3lm@250mA)



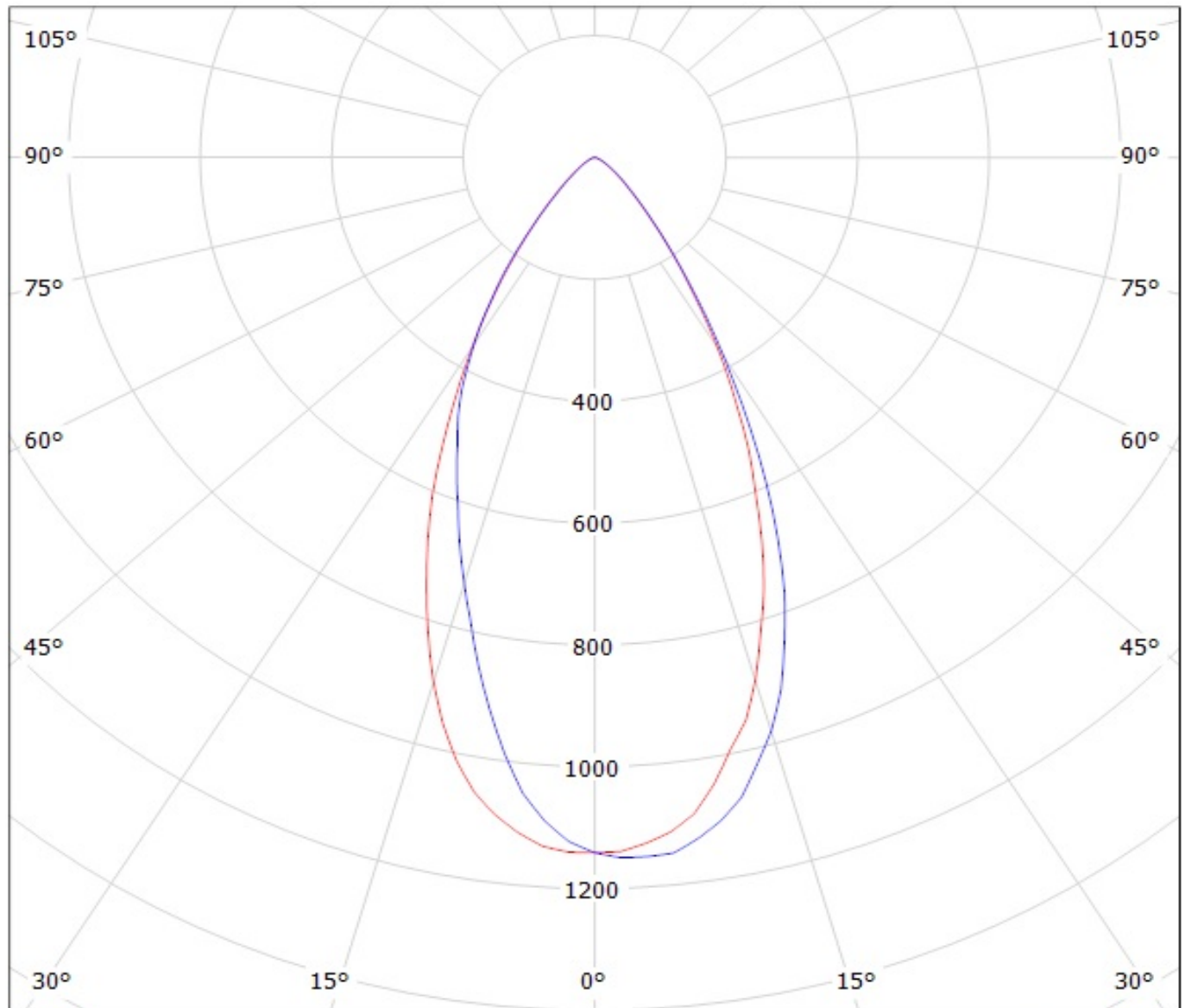
LEDiL Oy C12913_LARISA-WW_(SSL80) Eff.84.2% / LDC (Polar)

Luminaire: LEDiL Oy C12913_LARISA-WW_(SSL80) Eff.84.2%

Lamps: 1 x Osram SSL80 (81.3lm@250mA)



Luminaire: LEDil Oy CP12947_LARISA-WW-CLIP16_(Duris_S5) Efficiency=86%
Lamps: 1 x Osram Duris S5 (GW PSLPS1.EC) 102lm @ 150mA CCT=6300K P=1.0W I=150mA



cd/klm

— C0 - C180 — C90 - C270

$\eta = 87\%$

NOTE: The typical divergence will be changed by different color, chip size and chip position tolerance. The typical total divergence is the full angle measured where the luminous intensity is half of the peak value.