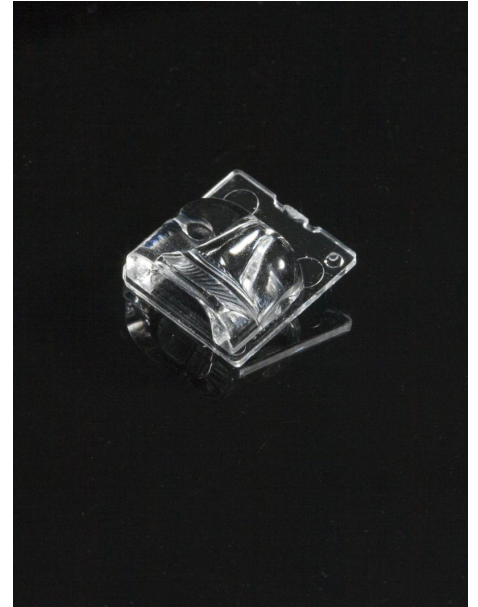


DETAILS

Product Number	C16006_STRADELLA-T1-A
Family	Stradella
Type	Lens
Color	clear
Diameter	13,9x13,9 mm
Height	5,32 mm
Style	square
Optic Material	PMMA
Holder Material	
Fastening	glue, pin
Status	production ready
ROHS Compliant	Yes
Date Updated	12/05/2017



OPTICAL PROPERTIES

LED	Viewing Angle	Light Beam	Efficiency	cd/lm	Connector
XP-G3	Asymmetric deg	Streetligh...	94 %	0.860	-
XT-E	sim: asym	Streetligh...	sim: 94 %	sim: 0.928	-
XP-G2	sim: asym	Streetligh...	sim: 94 %	sim: 0.973	-
NVSxx19B/NVSxx19C	sim: asym	Streetligh...	sim: 94 %	sim: 0.873	-
Oslon Square Gen3	sim: asym	Streetligh...	sim: 94 %	sim: 0.887	-
LH351B	sim: asym	Streetligh...	sim: 94 %	sim: 0.769	-
Z5M1/Z5M2	sim: asym	Streetligh...	sim: 94 %	sim: 1.009	-

D

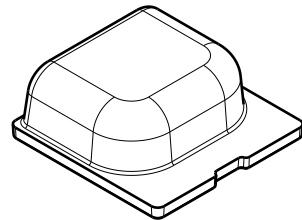
C

B

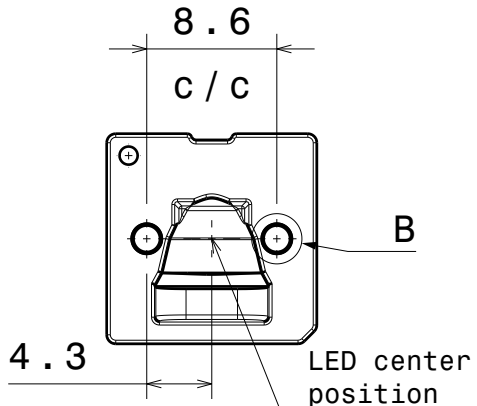
A

4

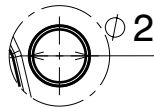
4



Isometric view
Scale: 2:1



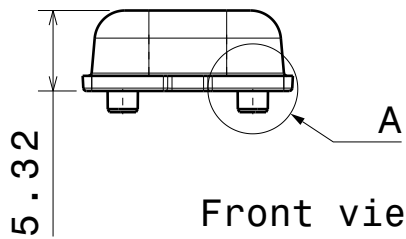
Bottom view
Scale: 2:1



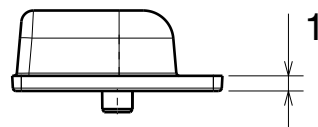
Detail B
Scale: 4:1

3

3



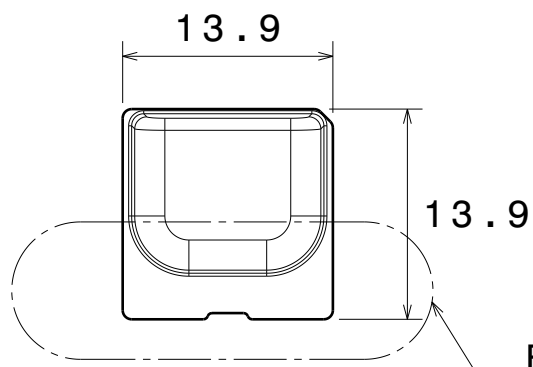
Front view
Scale: 2:1



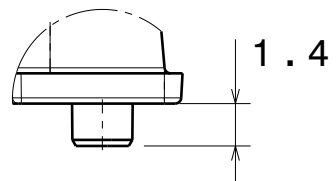
Left view
Scale: 2:1

2

2



Top view
Scale: 2:1



Detail A
Scale: 4:1

Road side

Beam direction

Tolerances if not otherwise shown
According to DIN ISO 2768-1
Linear measures:
Up to 30mm class M, otherwise class C.
According to DIN ISO 2768-2
Form and position: class L

LEDiL LediL Oy
Salorankatu 10
FIN 24240 SALO
Finland

THIRD ANGLE PROJECTION:

DRAWING TITLE
STRADELLA-T1-A mechanical drawing

This drawing is the property of LEDiL Oy. It may not be reproduced, copied or communicated without a written agreement with LEDiL Oy.

SIZE	PART NUMBER
A4	C16006

SCALE	2:1	WEIGHT		SHEET	1/1
-------	-----	--------	--	-------	-----

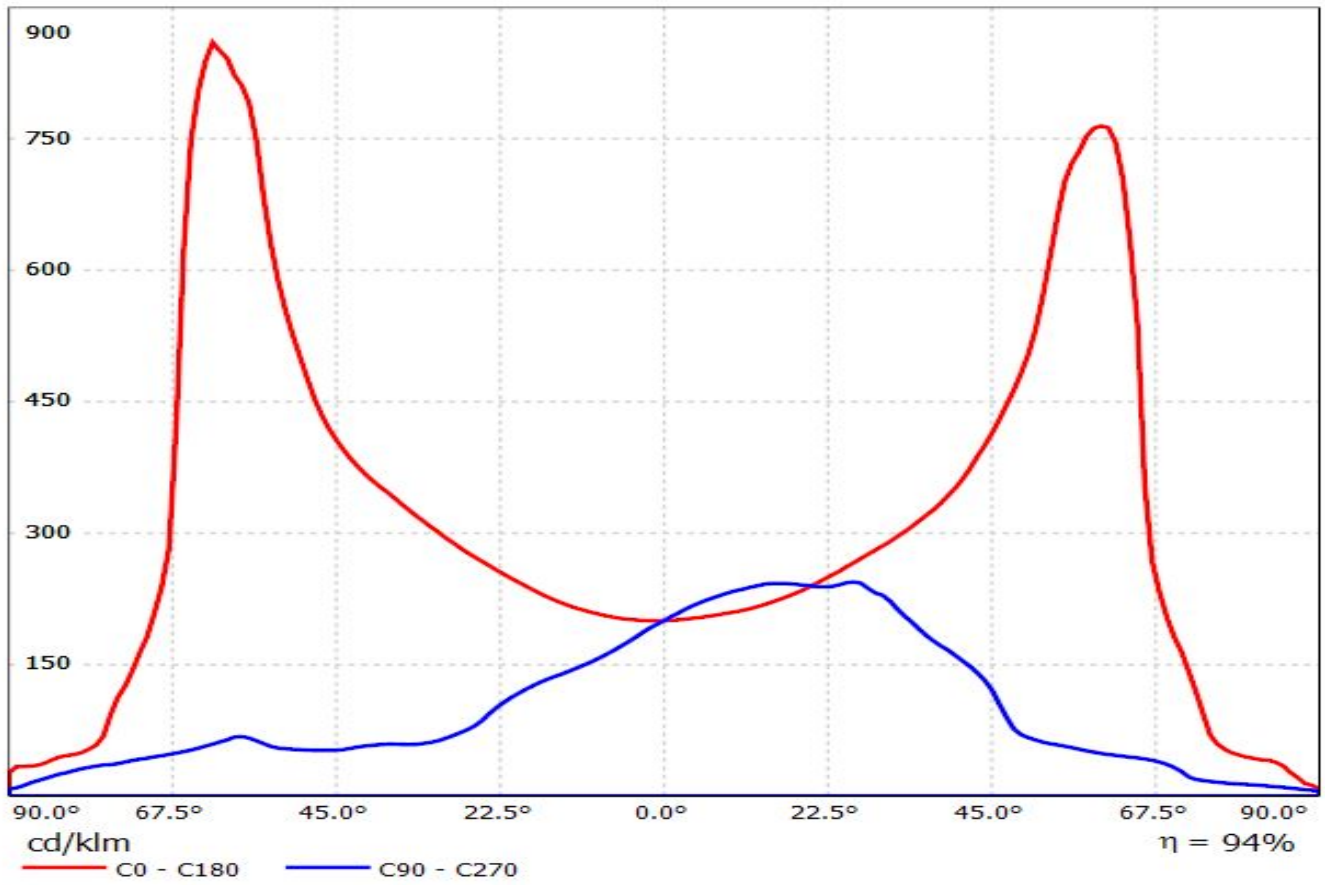
D

A

1

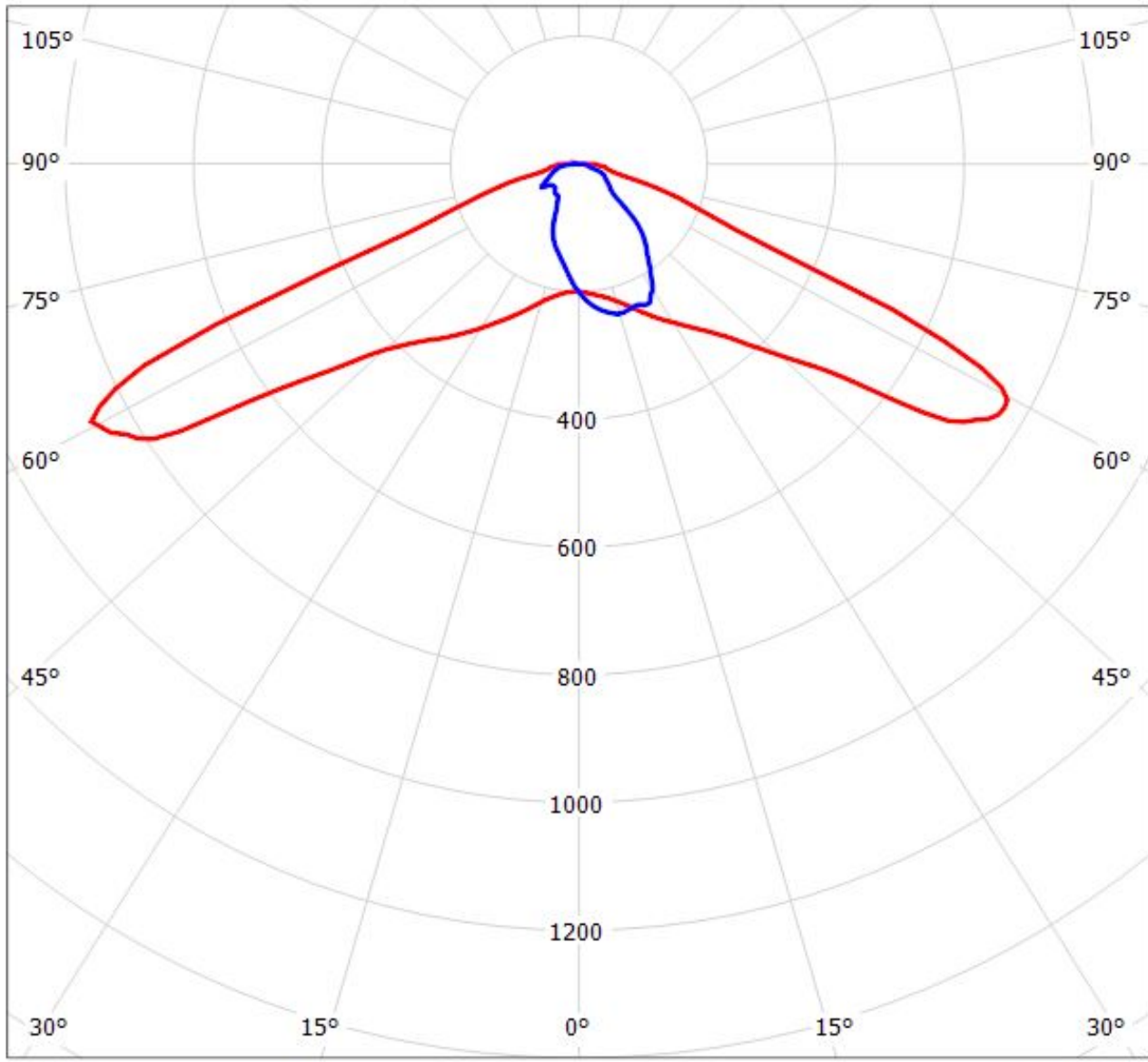
Luminaire: LEDiL Oy C16006_STRADELLA-T1-A_(XP-G3)

Lamps: 1 x Cree_XP-G3_(XPGDWT-B1-3C0-S4-0-01)_122.466lm@250mA_P=0.707142W_I=0.25A



Luminaire: LEDiL Oy C16006_STRADELLA-T1-A_(XP-G3)

Lamps: 1 x Cree_XP-G3_(XPGDWT-B1-3C0-S4-0-01)_122.466lm@250mA_P=0.707142W_I=0.25A



cd/klm

— C0 - C180 — C90 - C270

$\eta = 94\%$

NOTE: The typical divergence will be changed by different color, chip size and chip position tolerance. The typical total divergence is the full angle measured where the luminous intensity is half of the peak value.