

**Product number FA11449\_LED1-M2**

Family	Leila	FWHM	(simulated) 28
Type	Assembly	Efficiency	-
LED	XR-E	cd/lm	-
Color	Black	Gerber File	Available
Diameter	21.6 mm		
Height	16.5 mm		
Style	Round		
Optic Material	PMMA		
Holder Material	-		
Fastening	["tape"]		
Status	Production ready		

**Product number FCN11459\_LED1-M2**

Family	Leila	FWHM	(simulated) 28
Type	Pack	Efficiency	-
LED	XR-E	cd/lm	-
Color	White	Gerber File	Available
Diameter	21.6 mm		
Height	16.5 mm		
Style	Round		
Optic Material	PMMA		
Holder Material	-		
Fastening	["glue"]		
Status	Production ready		

**Product number FA10653\_LED1-RS**

Family	Leila	FWHM	6 degrees
Type	Assembly	Efficiency	-
LED	XR-E	cd/lm	-
Color	Black	Gerber File	Available
Diameter	21.6 mm		
Height	16.5 mm		
Style	Round		
Optic Material	PMMA		
Holder Material	-		
Fastening	["tape"]		
Status	Production ready		

**Product number FCN10808\_LED1-RS**

Family	Leila	FWHM	6 degrees
Type	Pack	Efficiency	-
LED	XR-E	cd/lm	-
Color	White	Gerber File	Available
Diameter	21.6 mm		
Height	16.5 mm		
Style	Round		
Optic Material	PMMA		
Holder Material	-		
Fastening	["glue"]		
Status	Production ready		

**Product number FA10655\_LC1-D**

Family	Leila	FWHM	10 degrees
Type	Assembly	Efficiency	-
LED	XR-E	cd/lm	-
Color	Black	Gerber File	Available
Diameter	21.6 mm		
Height	16.5 mm		
Style	Round		
Optic Material	PMMA		
Holder Material	-		
Fastening	["tape"]		
Status	Production ready		

**Product number FCN10810\_LC1-D**

Family	Leila	FWHM	10 degrees
Type	Pack	Efficiency	-
LED	XR-E	cd/lm	-
Color	White	Gerber File	Available
Diameter	21.6 mm		
Height	16.5 mm		
Style	Round		
Optic Material	PMMA		
Holder Material	-		
Fastening	["glue"]		
Status	Production ready		

**Product number FCN11104\_LC1-O-90**

Family	Leila	FWHM	10+42 degrees
Type	Pack	Efficiency	85 %
LED	XR-E	cd/lm	-
Color	White	Gerber File	Available
Diameter	21.6 mm		
Height	16.5 mm		
Style	Round		
Optic Material	PMMA		
Holder Material	-		
Fastening	["glue"]		
Status	Production ready		

**Product number FA11105\_LC1-O-90**

Family	Leila	FWHM	10+42 degrees
Type	Assembly	Efficiency	-
LED	XR-E	cd/lm	-
Color	Black	Gerber File	Available
Diameter	21.6 mm		
Height	16.5 mm		
Style	Round		
Optic Material	PMMA		
Holder Material	-		
Fastening	["tape"]		
Status	Production ready		

**Product number FA10654\_LC1-REC**

Family	Leila	FWHM	22+42 degrees
Type	Assembly	Efficiency	-
LED	XR-E	cd/lm	-
Color	Black	Gerber File	Available
Diameter	21.6 mm		
Height	16.5 mm		
Style	Round		
Optic Material	PMMA		
Holder Material	-		
Fastening	["tape"]		
Status	Production ready		

**Product number FCN11372\_LC1-MD**

Family	Leila	FWHM	24 degrees
Type	Pack	Efficiency	90 %
LED	XR-E	cd/lm	-
Color	White	Gerber File	Available
Diameter	21.6 mm		
Height	16.5 mm		
Style	Round		
Optic Material	PMMA		
Holder Material	-		
Fastening	["glue"]		
Status	Production ready		

**Product number FA11373\_LC1-MD**

Family	Leila	FWHM	24 degrees
Type	Assembly	Efficiency	-
LED	XR-E	cd/lm	-
Color	Black	Gerber File	Available
Diameter	21.6 mm		
Height	16.5 mm		
Style	Round		
Optic Material	PMMA		
Holder Material	-		
Fastening	["tape"]		
Status	Production ready		

**Product number CA11138\_LC2-M**

Family	Leila	FWHM	26 degrees
Type	Assembly	Efficiency	(simulated) 93 %
LED	XR-E	cd/lm	(simulated) 4.000
Color	White	Gerber File	Available
Diameter	21.6 mm		
Height	16.5 mm		
Style	Round		
Optic Material	PMMA		
Holder Material	-		
Fastening	["glue"]		
Status	Production ready		

**Product number FA10652\_LED1-M**

Family	Leila	FWHM	28 degrees
Type	Assembly	Efficiency	-
LED	XR-E	cd/lm	-
Color	Black	Gerber File	Available
Diameter	21.6 mm		
Height	16.5 mm		
Style	Round		
Optic Material	PMMA		
Holder Material	-		
Fastening	["tape"]		
Status	Production ready		

**Product number FCN10807\_LED1-M**

Family	Leila	FWHM	28 degrees
Type	Pack	Efficiency	-
LED	XR-E	cd/lm	-
Color	White	Gerber File	Available
Diameter	21.6 mm		
Height	16.5 mm		
Style	Round		
Optic Material	PMMA		
Holder Material	-		
Fastening	["glue"]		
Status	Production ready		

**Product number FCN10809\_LED1-REC**

Family	Leila	FWHM	42+22 degrees
Type	Pack	Efficiency	-
LED	XR-E	cd/lm	-
Color	White	Gerber File	Available
Diameter	21.6 mm		
Height	16.5 mm		
Style	Round		
Optic Material	PMMA		
Holder Material	-		
Fastening	["glue"]		
Status	Production ready		

**Product number FA11045\_LED1-W**

Family	Leila	FWHM	54 degrees
Type	Assembly	Efficiency	-
LED	XR-E	cd/lm	-
Color	Black	Gerber File	Available
Diameter	21.6 mm		
Height	16.5 mm		
Style	Round		
Optic Material	PMMA		
Holder Material	-		
Fastening	["tape"]		
Status	Production ready		

**Product number** FA11134\_LC1-W

Family	Leila	FWHM	54 degrees
Type	Assembly	Efficiency	-
LED	XR-E	cd/lm	-
Color	Black	Gerber File	Available
Diameter	21.6 mm		
Height	14.6 mm		
Style	Round		
Optic Material	PC,PMMA		
Holder Material	-		
Fastening	["tape"]		
Status	Production ready		

**NOTE: The typical divergence will be changed by different color, chip size and chip position tolerance. The typical total divergence is the full angle measured where the luminous intensity is half of the peak value.**



## PRODUCT DATASHEET

### Leila series

last update 11/6/2012

#### GENERAL INFORMATION

- Product series especially designed & optimized for XR-E series of LEDs.
- Special care taken to make light distribution as uniform as possible.
- Lens material optical grade PMMA with high UV and temperature resistance. Allows use of high current and temperature conditions.

Please find more information about used material from below:

[http://ledil.fi/sites/default/files/Documents/Technical/Material/PMMA%20N%20UL94\\_Yellow%20Card.pdf](http://ledil.fi/sites/default/files/Documents/Technical/Material/PMMA%20N%20UL94_Yellow%20Card.pdf)

<http://ledil.fi/sites/default/files/Documents/Technical/Material/PMMA%20N%20PLEXIGLAS-Datasheet.pdf>

D

C

B

A

4

4

3

3

2

2

1

1

Lens

Holder

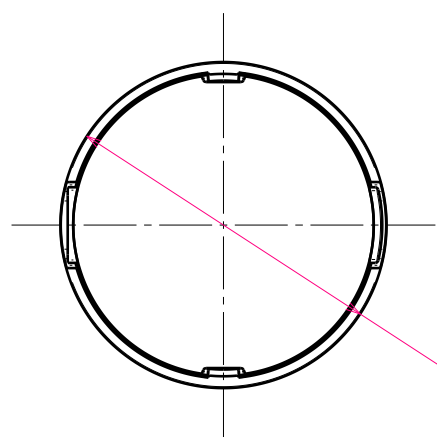
Tape 0,2mm

16.5

Side view

Top view

Ø21.6



MATERIALS  
 Lens: PMMA  
 Holder: PC  
 Tape: PU Foam

Part no.s:  
 FA10652\_LC1-M  
 FA10653\_LC1-RS  
 FA10654\_LC1-REC  
 FA10655\_LC1-D  
 FA11045\_LC1-W-Tape  
 FA11105\_LC1-O-90  
 FA11373\_LC1-MD-Tape  
 FA11449\_LC1-M2

This drawing is our property.  
 It can't be reproduced  
 or communicated without  
 our written agreement.



L T F F e i n e i n

DRAWING TITLE  
**Datasheet Assembly LC1-series**

DRAWN BY  
 p DATE  
 17.01.2011

CHECKED BY  
 t k DATE  
 25.09.2008

DESIGNED BY  
**HH** DATE  
 24.07.2008

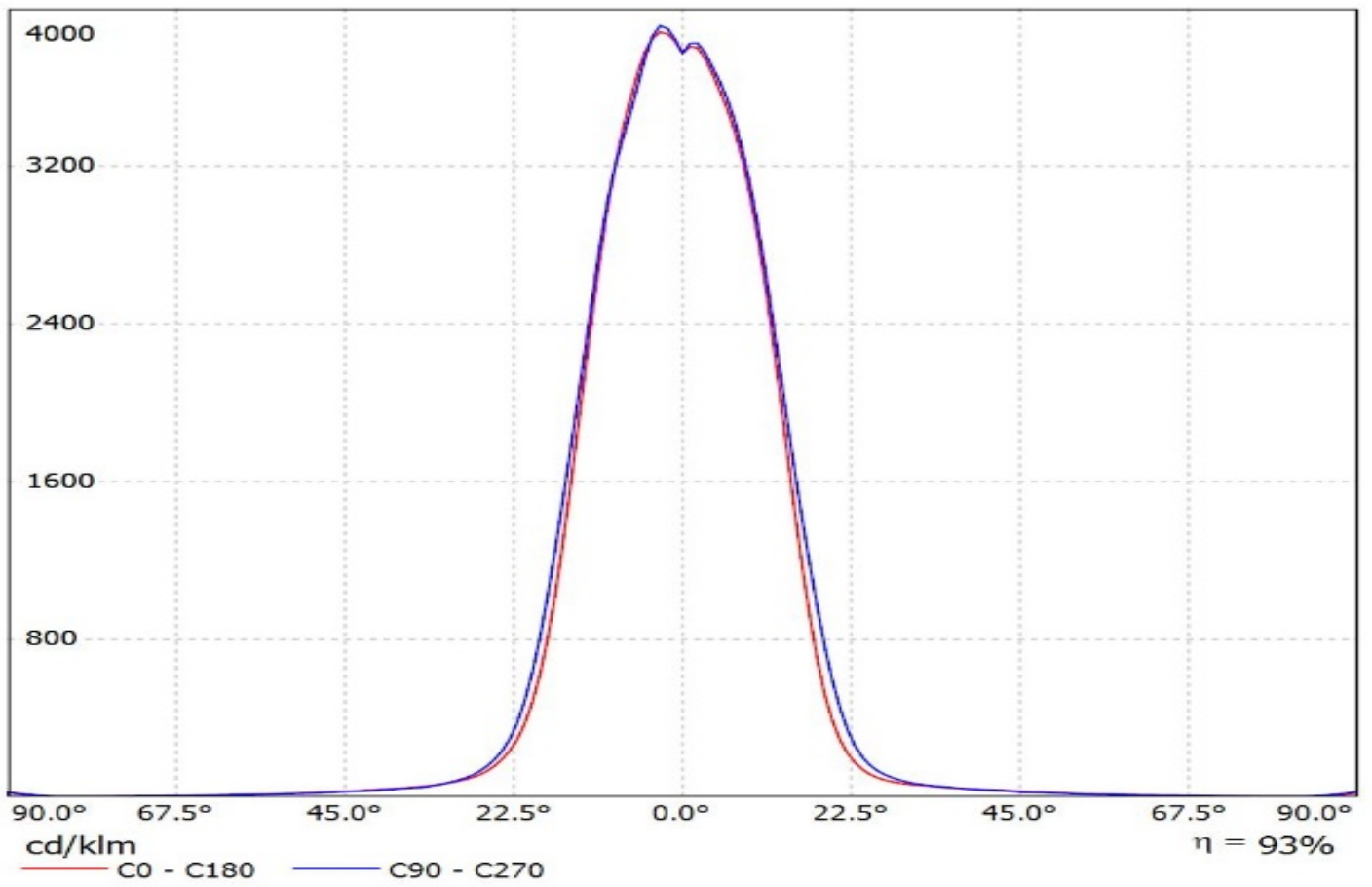
SIZE A4 DRAWING NUMBER - REV 1

SCALE 2:1 WEIGHT (g) - SHEET 1/1

D

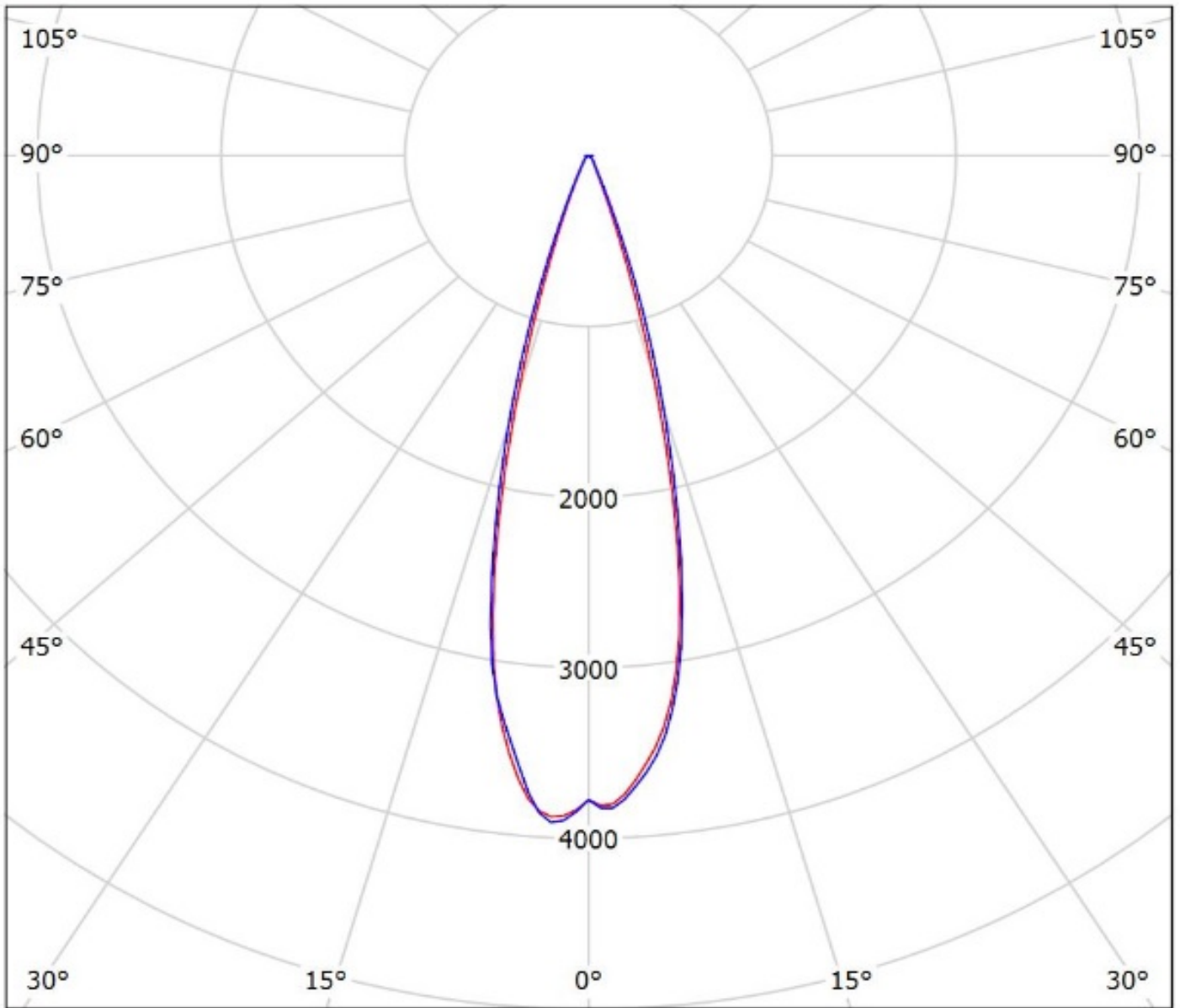
A

Luminaire: Ledil Oy CA11138\_LC2-M\_(XR-E)\_SIMULATED  
Lamps: 1 x Cree XR-E





Luminaire: Ledil Oy CA11138\_LC2-M\_(XR-E)\_SIMULATED  
Lamps: 1 x Cree XR-E



cd/klm

— C0 - C180 — C90 - C270

$\eta = 93\%$