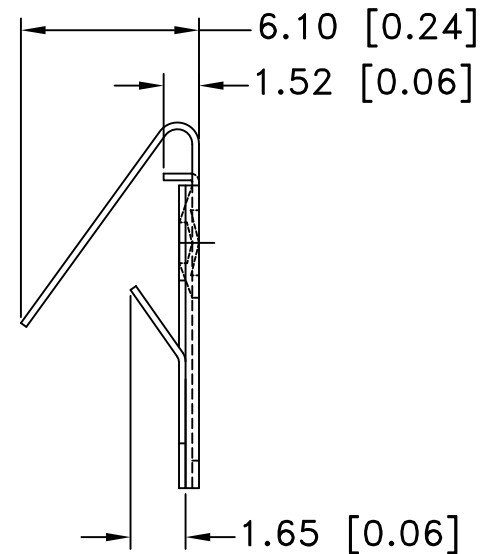
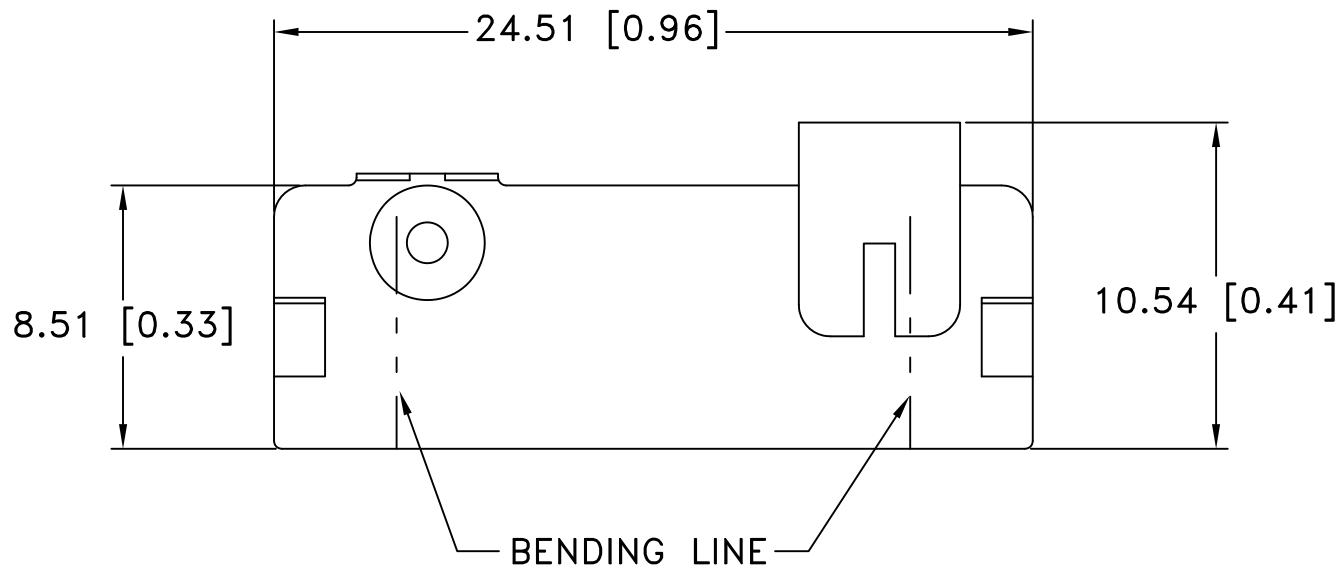



Date	SYM	REVISION RECORD	AUTH	DR.	CK.
9/10/06	A	ADDED "ROHS COMPLIANT"	T.B.	B.S.	
11/21/14	B	UPDATED TO ROHS 2 COMPLIANT	T.B.	B.S.	



NOTES:

1. PHOSPHOR BRONZE, 0.25mm (0.010") THICK. NICKEL PLATED.
2. ROHS 2 COMPLIANT

Tolerance (Except as noted)	 Memory Protection Devices, Inc 200 Broad Hollow Road, Farmingdale, New York 11735		
decimal ±.5 (.020)		Scale	Drawn By B.S.
Fractional ± .8 (.030)	Title "AAA" BATTERY COMMON CONTACT		
Angular ± 3°	Date 11/21/14	Drawing Number SN-T7-02A	
			Approved By T.B.