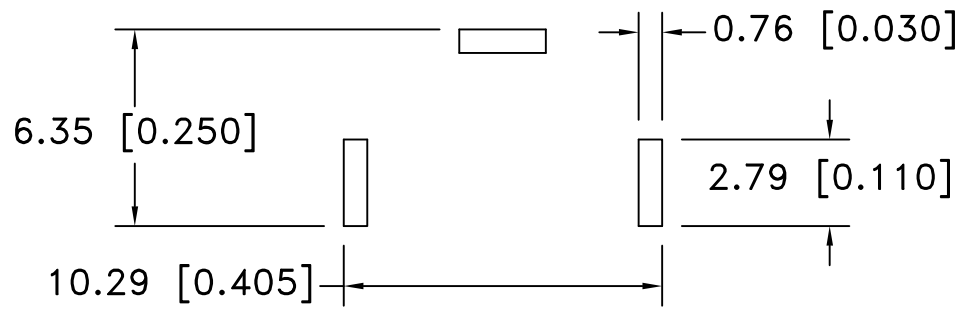
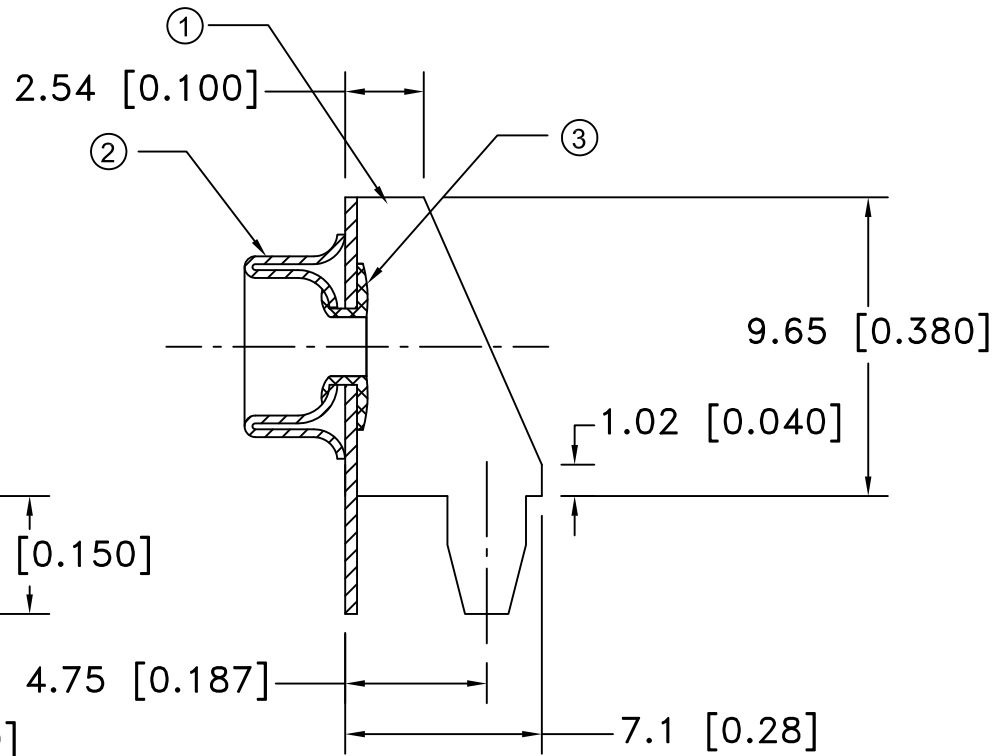
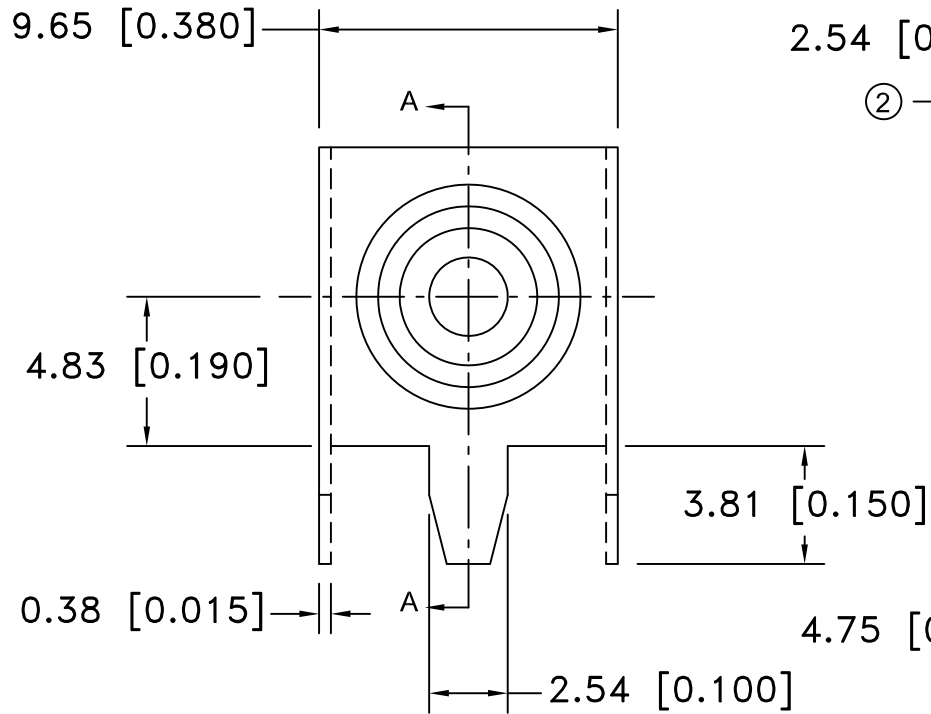



Date	SYM	REVISION RECORD	AUTH	DR.	CK.
5/26/07	A	ADDED "ROHS COMPLIANT"	T.B.	B.S.	
6/14/13	B	CHANGED PCB LAYOUT TO SLOT	T.B.	B.S.	
8/12/16	C	DELETED DIM. 1.58 ADDED DIM. 3.81	T.B.	B.S.	
12/09/16	D	DIM. 4.75 WAS 4.57 DIM. 7.1 WAS 6.35	T.B.	B.S.	



PCB LAYOUT



NO.	PART NO.	PART NAME	MATERIAL	QTY.
1		FRAME	STEEL-TIN PLTD	1
2	BSM	MALE SNAP	BRASS, NICKLE PLATED	1
3	BSR	RIVET	BRASS NICKLE PLATED	1

<b>ROHS 2 COMPLIANT</b>	<b>Tolerance</b> (Except as noted)	 <b>Memory Protection Devices, Inc</b> 200 Broad Hollow Road, Farmingdale, New York 11735	
	<b>decimal</b> $\pm .5$ (.020)	<b>Scale</b>	<b>Drawn By</b> B.S. <b>Approved By</b> T.B.
	<b>Fractional</b> $\pm .8$ (.030)	<b>Title</b> 9 VOLT MALE PRINTED CIRCUIT SNAP-ONS	
	<b>Angular</b> $\pm 3^\circ$	<b>Date</b> 12/09/16	<b>Drawing Number</b> BSPCM