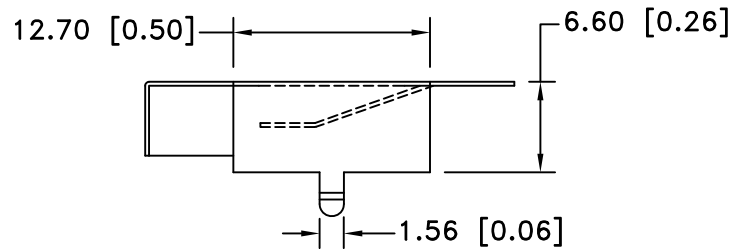
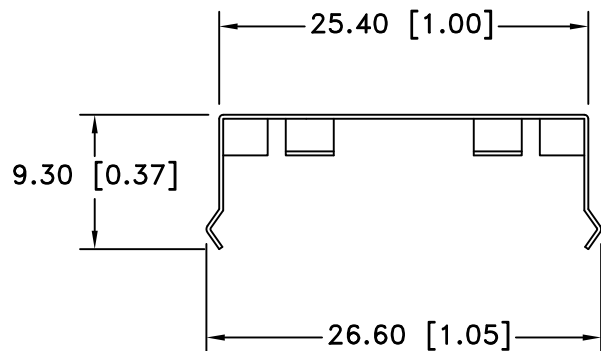
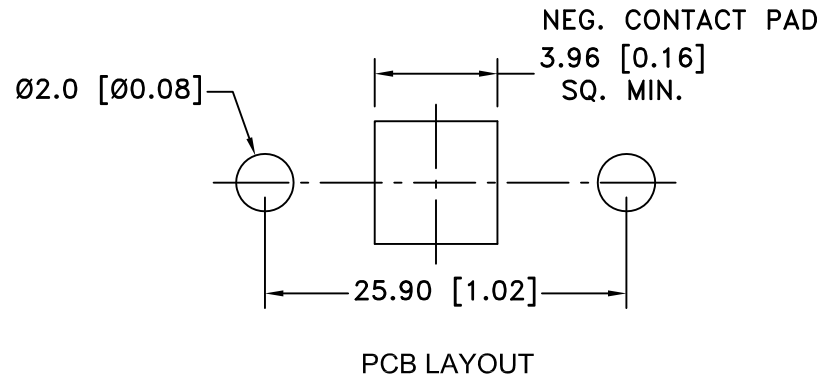
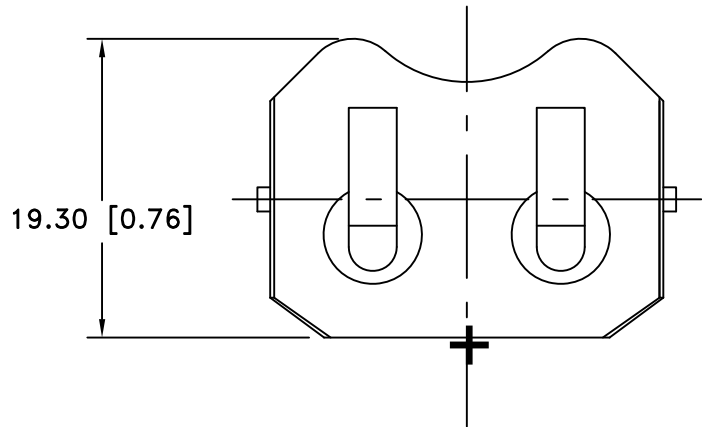



Date	SYM	REVISION RECORD	AUTH	DR.	CK.
02/07/04	A	REVISED DRAWING	T.B.	B.S.	
07/08/06	B	ADDED "ROHS COMPLIANT"	T.B.	B.S.	
03/05/10	C	RE-DESIGNED	T.B.	B.S.	
04/23/10	D	RE-DESIGNED DIM. 19.30 WAS 22.10	T.B.	B.S.	
11/14/14	E	UPDATED TO ROHS 2 COMPLIANT	T.B.	B.S.	



NOTES:

- MATERIAL:
.008" THICK PHOSPHOR BRONZE, NICKEL PLATED.
- ROHS 2 COMPLIANT

Tolerance (Except as noted)	 Memory Protection Devices, Inc 200 Broad Hollow Road, Farmingdale, New York 11735		
decimal ±.5 (.020)		Scale	Drawn By B.S.
Fractional ± .8 (.030)	Title CR2450 BATTERY RETAINER		
Angular ± 3°	Date 11/14/14	Drawing Number BK-5033	
		Approved By T.B.	