

Model No.: SBS-160F35AL01-04
 Product Line: Tymphany

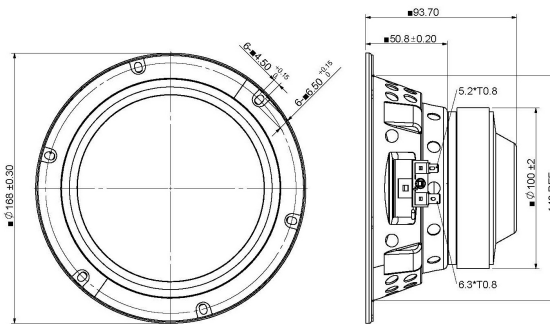
Rev: 1
 Last Update: 2017-04-25 14:32:09

Product Description

This is a 6.5inch 4ohm woofer, a member of the new SBS product family. This driver features a black anodized aluminum cone, inverted rubber surround, ferrite magnet, steel basket. Designed for high excursion applications.



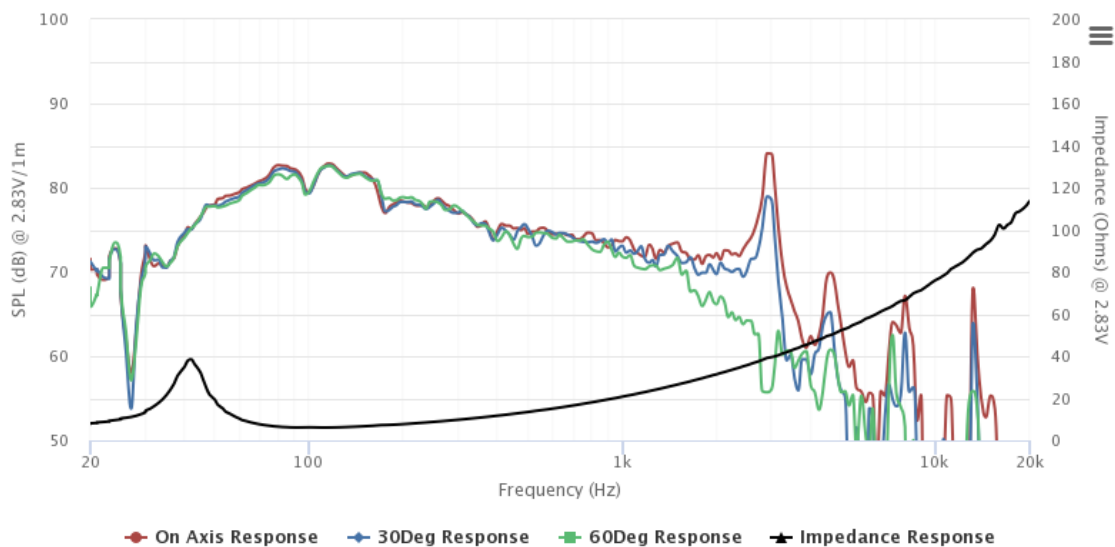
Mechanical Drawing



Specifications

DC Resistance	Revc	Ohms	4.1	5.0%	Energy Bandwidth Product	EBP	(1/Qes)*fs
Minimum Impedance	Zmin	Ohms	6.1	7.5%	Moving Mass	Mms	g
Voice Coil Inductance	Le	mH	0.91		Suspension Compliance	Cms	um/N
Resonant Frequency	Fs	Hz	46.15	15%	Effective Cone diameter	D	cm
Mechanical Q Factor	Qms		5.6		Effective Piston Area	Sd	cm ²
Electrical Q Factor	Qes		0.67		Effective Volume	Vas	L
Total Q Factor	Qts		0.6		Motor Force Factor	BL	Tm
Ratio Fs/Qts	F	Fs/Qts	76.66		Motor Efficiency Factor	β	(T*M ²)/Ohms
Half Space Sensitivity @2.83V	db@2.83V/1M	dB	82.36	+/- 1.0db	Voice coil former Material	VCfm	ASV
Half Space Sensitivity @1W/1M	db@1W/1M	dB	81.2	+/- 1.0db	Voice coil inner diameter	VCd	mm
Gap Height	Gh	mm	6		Rated Noise Power	P	W
Maximum Linear Excursion	Xmax	mm	8.5		Test Spectrum Bandwidth		40Hz-500Hz
Ferrofluid Type	FF				Driver Size	Inch	6 in
Driver Mass	Kg		1.74				

Frequency and Impedance Response



Highcharts.com