

Model No.: DA25BG08-06
 Product Line: Tymphany

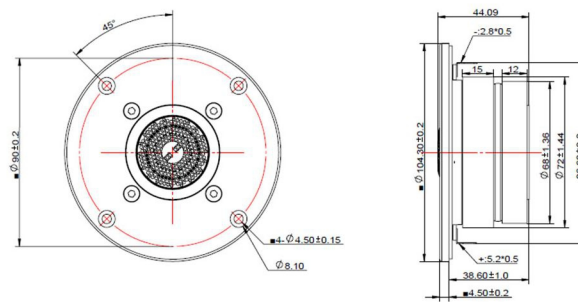
Rev: 1
 Last Update: 2017-04-25 14:32:09

Product Description

This D family tweeter features an 6 ohm 25 mm voice coil, a treated Al dome, large rear chamber for low resonant frequency, and a ferrofluid-cooled ferrite motor. The large motor and rear chamber allow for robust power handling capacity. The tweeter comes with a faceplate with recessed mounting holes, for easy installation into the desired application.



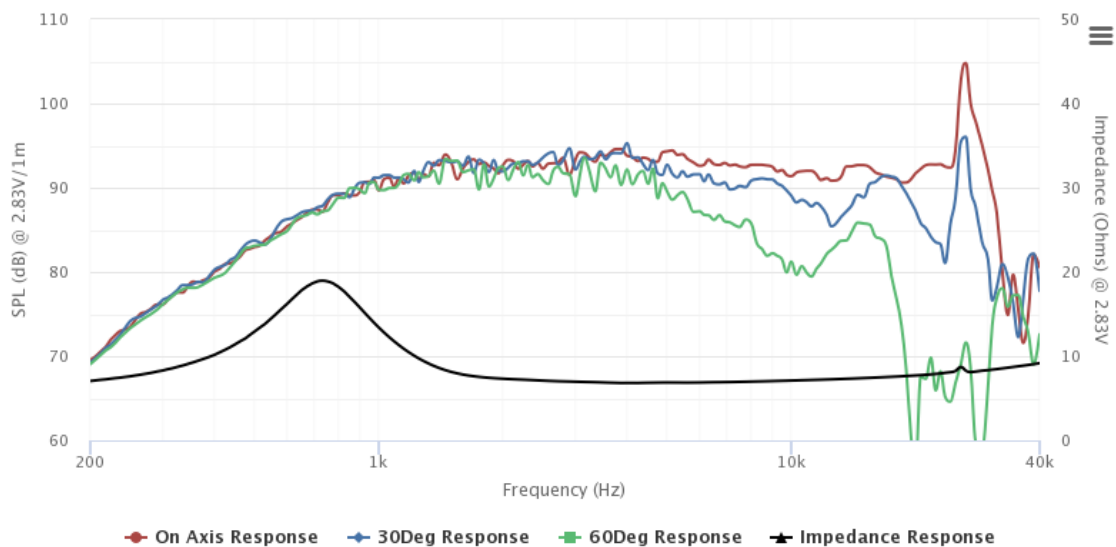
Mechanical Drawing



Specifications

DC Resistance	Revc	Ohms	5.2	5.0%	Energy Bandwidth Product	EBP	(1/Qes)*fs
Minimum Impedance	Zmin	Ohms	6.82	7.5%	Moving Mass	Mms	g
Voice Coil Inductance	Le	mH	0.02		Suspension Compliance	Cms	um/N
Resonant Frequency	Fs	Hz	721	15%	Effective Cone diameter	D	cm
Mechanical Q Factor	Qms		1.89		Effective Piston Area	Sd	cm ²
Electrical Q Factor	Qes		0.7		Effective Volume	Vas	L
Total Q Factor	Qts		0.51		Motor Force Factor	BL	Tm
Ratio Fs/Qts	F	Fs/Qts	1416.5		Motor Efficiency Factor	β	(T*M ²)/Ohms
Half Space Sensitivity @2.83V	db@2.83V/1M	dB	94.17	+/- 1.0db	Voice coil former Material	VCfm	ASV
Half Space Sensitivity @1W/1M	db@1W/1M	dB	93.5	+/- 1.0db	Voice coil inner diameter	VCd	mm
Gap Height	Gh	mm	3		Rated Noise Power	P	W
Maximum Linear Excursion	Xmax	mm	0.5		Test Spectrum Bandwidth		2K-20K
Ferrofluid Type	FF		APG027n		Driver Size	Inch	1 in
Driver Mass	Kg		0.68				

Frequency and Impedance Response



Highcharts.com