



allmetal air flow Fans

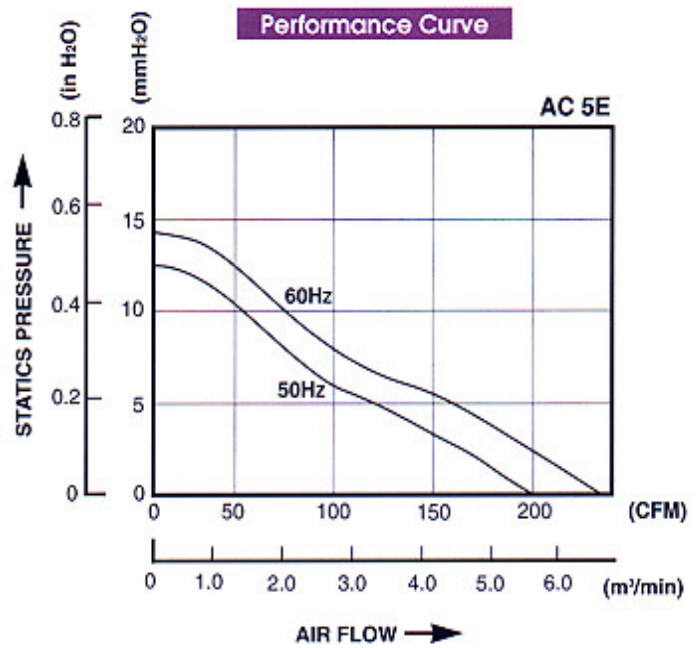
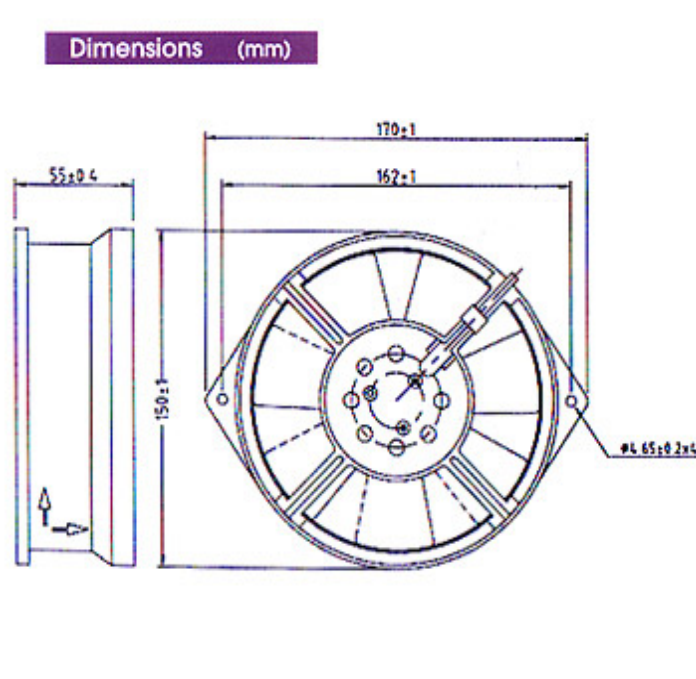
Oval type 172x150 x55mm



Motor construction	Shaded Pole Induction Motor
Motor protection system	Impedance protection
Bearing	2 Ball Beings
Dielectric strength	50/60 Hz, 1500 VAC, 1minute (between lead conductor and frame)
Operating voltage range	+10%
Operating thermally range	-30°C to +75°C
Impeller and Frame	Metallic and Aluminum Alloy
Livslangd L10 vid 40°C	40000 timmar

Dimensions (unit:mm)

Typical air flow and static pressure characteristics



Specifications

Model No.	Voltage (V)	Freqency (Hz)	Input (W)	Current (A)	Bound current (A)	speed (min ⁻¹)	Air flow (m³/min)	Air flow (CFM)	pressure (Pa)	Noise (dB[A])	Mass (g)
A5722E-12L-B04	115	50/60	48/46	0.45/0.42	0.48/0.46	2800/3200	7.02/8.07	203/240	16/20	51/53	1000
A5722E-23L-B04	230	50/60	46/44	0.30/0.28	0.32/0.29	2800/3200	7.02/8.07	203/240	16/20	51/53	1000