

## 技术参数 Product Description

- ◆ Uses a new type impeller made of plastic or high-quality aluminum alloy, the former to the blade.  
叶轮采用新型塑料或优质铝合金制成，前向式叶片。
- ◆ Scroll using new plastic processing of glass fiber to ensure that shell toughness and temperature resistance.  
蜗壳采用新型塑料加玻璃纤维以保证外壳的韧性及耐高温性。
- ◆ Impeller and external rotor motor constitute a whole, as the impeller wheel of the drive motor is air cooled efficiently.  
叶轮与外转子电机构成整体，成为叶轮轮毂的驱动电机被气流高效地冷却。
- ◆ Motor protection class: IP44  
电机防护等级：IP44

AC centrifugal blowers 交流离心鼓风机  
Single inlet  $\varnothing$  140 mm 单进风式



## 技术参数 Specifications

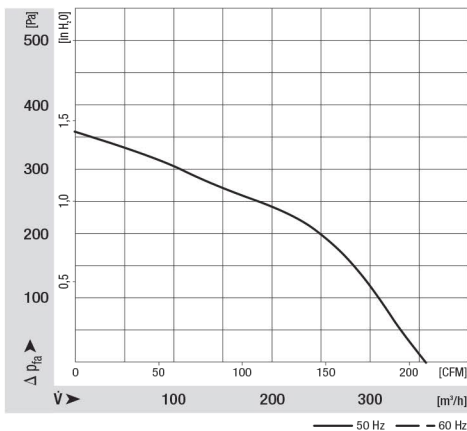


Model (型号)	Rated Voltage (VAC) (额定电压)	Frequency (Hz) (频率)	Current Amp (Amp) (额定电流)	Rated Input Power (Watt) (额定功率)	Speed (rpm) (转速)	Max Air Flow (m <sup>3</sup> /h) (风量)	Max Static Pressure (Inch-H <sub>2</sub> O) (风压)	Start capacitor (uF/VDB) (启动电容)	Noise Level (dB-A) (噪音)
G14092N-23W-B21	1~230	50	0.6	126	1820	368	1.45	2/450	55

The max. air flow and the speed are measured in free air; max. air pressure is measured at zero air flow

\* All readings are typical values at rated voltage.

## 特性曲线图 Characteristic curve



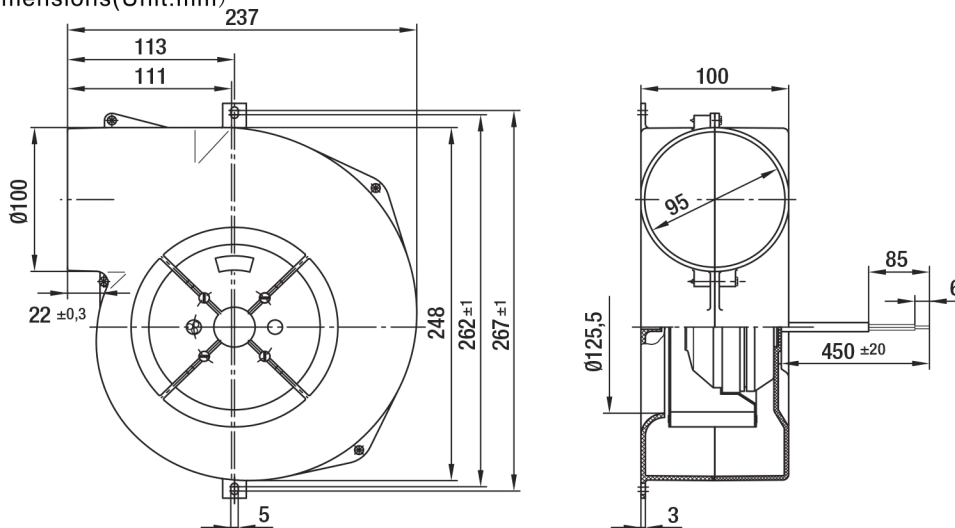
## Use of the environment

- ◆ Temperature:  $-20^{\circ}$  --  $+60^{\circ}$
- ◆ Relative Humidity:  $\leq 90\%$
- ◆ Pressure: 55 Kpa (Considerable elevation 4000m)
- ◆ Vibration: 10-55Hz, Double amplitude 1.5mm
- ◆  $40^{\circ}$  C when the expected life of 30,000 hours

## 使用环境

- ◆ 温度:  $-20^{\circ}$  --  $+60^{\circ}$
- ◆ 相对湿度:  $\leq 90\%$
- ◆ 气压: 55 Kpa (相当海拔4000m)
- ◆ 振动: 10-55Hz, 双振幅1.5mm
- ◆  $40^{\circ}$  C时期望使用寿命30000小时

## 外形图 Dimensions (Unit:mm)



AC后倾式风机  
 $\varnothing$  133 ~  $\varnothing$  400

AC单进风式风机  
 $\varnothing$  108 ~  $\varnothing$  200

AC双进风式风机  
 $\varnothing$  133 ~  $\varnothing$  150

AC前倾式风机  
 $\varnothing$  108 ~  $\varnothing$  200

DC后倾式风机  
 $\varnothing$  133 ~  $\varnothing$  355

DC单进风式风机  
 $\varnothing$  108 ~  $\varnothing$  150