

## 产品说明 Product Description

- ◆ Uses a new type impeller made of plastic or high-quality aluminum alloy, the former to the blade.  
叶轮采用新型塑料或优质铝合金制成，前向式叶片。
- ◆ Scroll plastic, wind-round use of galvanized steel plates.  
蜗壳采用塑料，风轮采用镀锌钢板制成。
- ◆ Scroll both sides of the motor from the mounting brackets.  
电机由蜗壳两侧的安装支架固定。
- ◆ Impeller and external rotor motor constitute a whole, as the impeller wheel of the drive motor is air cooled efficiently.  
叶轮与外转子电机构成整体，成为叶轮轮毂的驱动电机被气流高效地冷却。
- ◆ Motor protection class: IP20  
电机防护等级：IP20

AC centrifugal blowers 交流离心鼓风机  
dual inlet Ø 146 mm 双进风式



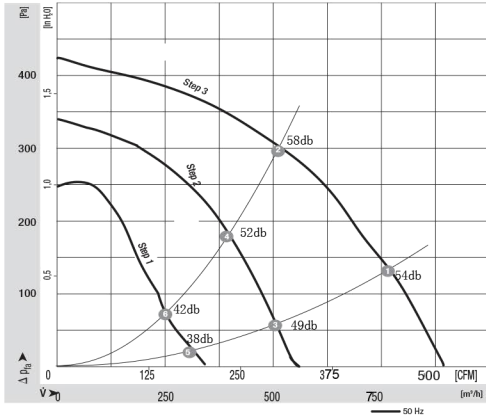
## 技术参数 Specifications



Model	Rated Voltage	Frequency	Current Amp	Rated Input Power	Speed	Max Air Flow	Max Static Pressure	Start capacitor	Noise Level
(型号)	(VAC)	(Hz)	(Amp)	(Watt)	(rpm)	(m³/h)	(Inch-H <sub>2</sub> O)	(µF/VAC)	
(型号)	(额定电压)	(频率)	(额定电流)	(额定功率)	(转速)	(风量)	(风压)	(启动电容)	
F14692N-23W-B2T	1~230	50	1.4	310	1800	830	1.66	10/450	58

\* The max. air flow and the speed are measured in free air; max. air pressure is measured at zero air flow

## 特性曲线图 Characteristic curve



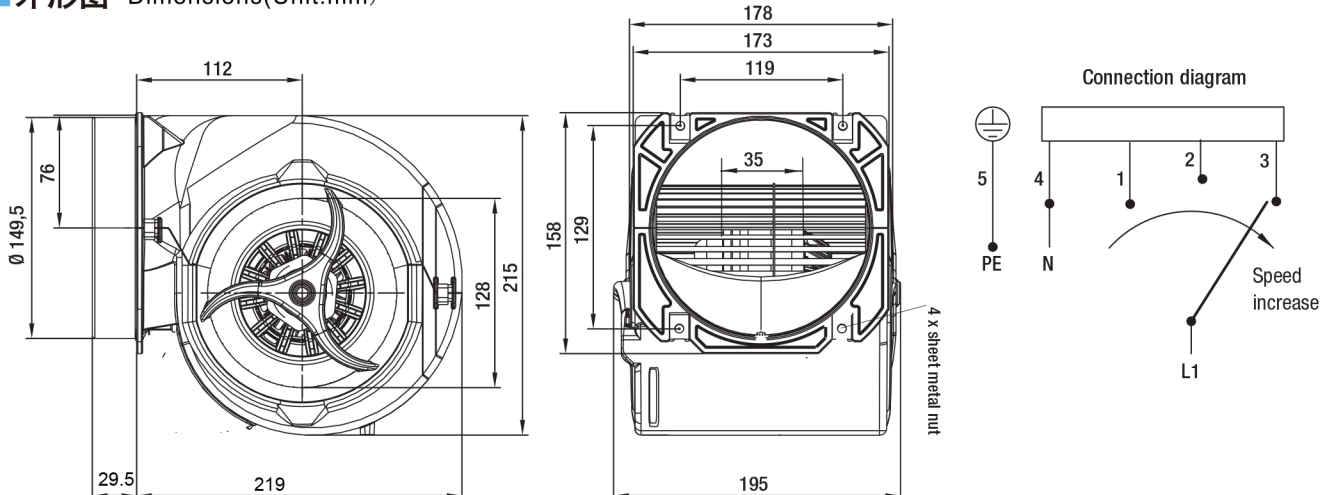
## Use of the environment

- ◆ Temperature: -20 ° -- + 45 °
- ◆ Relative Humidity: ≤ 90%
- ◆ Pressure: 55 Kpa (Considerable elevation 4000m)
- ◆ Vibration: 10-55Hz, Double amplitude 1.5mm
- ◆ 40 °C when the expected life of 30,000 hours

## 使用环境

- ◆ 温度：-20° -- +45°
- ◆ 相对湿度：≤ 90%
- ◆ 气压：55 Kpa (相当海拔4000m)
- ◆ 振动：10-55Hz，双振幅1.5mm
- ◆ 40° C时期望使用寿命30000小时

## 外形图 Dimensions (Unit:mm)



AC后倾式风机  
Ø 133 ~ Ø 400

AC单进风式风机  
Ø 108 ~ Ø 200

AC双进风式风机  
Ø 133 ~ Ø 150

AC前倾式风机  
Ø 108 ~ Ø 200

DC后倾式风机  
Ø 133 ~ Ø 355

DC单进风式风机  
Ø 108 ~ Ø 150