

产品说明 Product Description

- ◆ Surface Material: Retardant level ABS resin.
表面材质：耐燃级ABS树脂。
- ◆ Mesh material: Nylon fibers synthetic resin.
滤网材质：尼龙纤维合成树脂。
- ◆ Mesh pressure loss of: early 6.9mmAQ, Eventually period 24mmAQ.
滤网压损：初期6.9mmAQ，终期24mmAQ。
- ◆ With maximum sustained winds of: 2.0M/SEC,
Effective wind speed: 50m³/min.
最大风速：2.0M/SEC，有效风速：50m³/min。
- ◆ Environmental temperature: -10 --+55，Dust cleaning: 89%.
环境温度：-10 --+55，除尘率：89%。
- ◆ Suitable for supporting the use 172 mm series fan.
适用于172 mm系列风扇配套使用

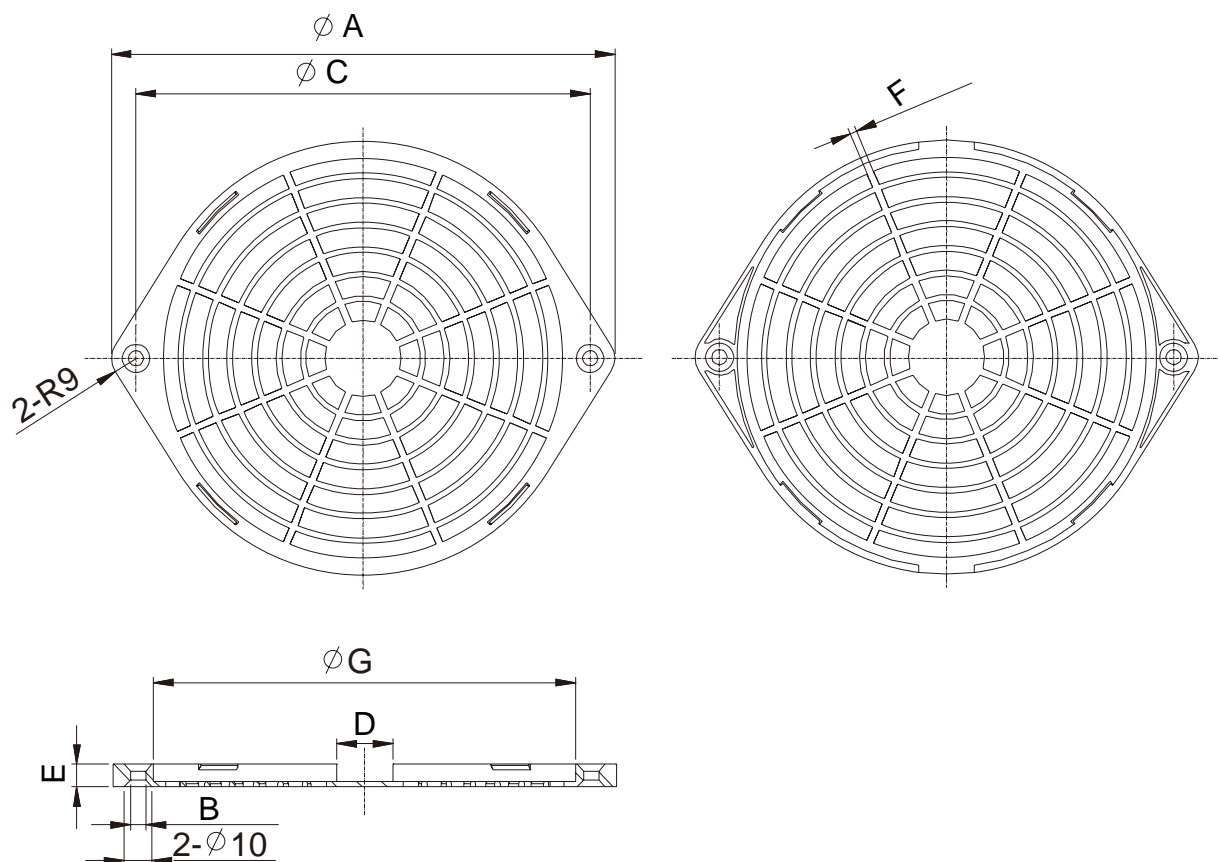
Three-in-one filter 三合一过滤网
GLW-1710 172mm



尺寸对照表 Specification

Model	尺寸 (mm)								Package quantity	Protection class
(型号)	A	B	C	D	E	F	G	H	(包装数量)	(防护等级)
GLW-1710	180	2×φ5.5	162	20	8	8-2.5	151	0	100PC	IP40

外形图 Dimensions(Unit:mm)



Thank you for evaluating Wondershare PDF Password Remover.

With the trial version, only the first 5 pages of each file can be exported.

To get all the pages exported, you need to purchase the software from

<http://www.anypdftools.com/buy/buy-pdf-password-remover.html>