

产品说明 Product Description

- ◆ Defend the net material:C1008 Burnish metal wire.
防护网材质：C1008光泽金属线。
- ◆ Surface treatment:Surface gloss nickel chrome plating.
表面处理：表面光泽镍铬电镀。
- ◆ Welding place can accept 88 pounds tension test.
焊接处能接受88磅拉力试验。
- ◆ Not mark tolerance for:±0.5mm.
未标注公差为：±0.5mm。
- ◆ protection class: IP20.
防护等级：IP20
- ◆ Suitable for supporting the use 70×70 mm series fan.
适用于70×70 mm系列风扇配套使用

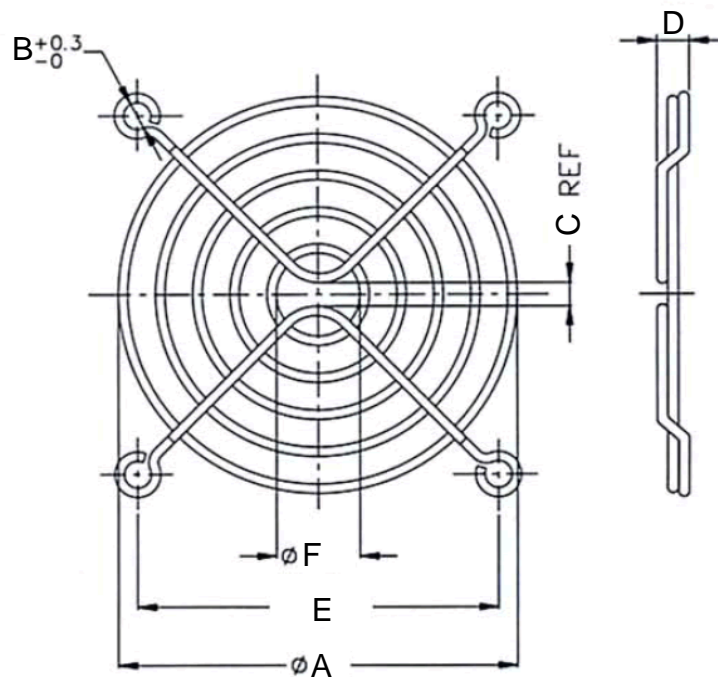
Defend the net 防护网
FHW-705 70mm



尺寸对照表 Specification

Model	尺寸 (mm)								Package quantity	Protection class
(型号)	A	B	C	D	E	F	G	H	(包装数量)	(防护等级)
FHW-705	68	4-φ4.4	2.5	5.0	4-61.5	14.2	0	0	100PC	IP20

外形图 Dimensions(Unit:mm)



Thank you for evaluating Wondershare PDF Password Remover.

With the trial version, only the first 5 pages of each file can be exported.

To get all the pages exported, you need to purchase the software from

<http://www.anypdftools.com/buy/buy-pdf-password-remover.html>